

DO NOT PRINT GREEN 375 DIE LINES.  
DIE LINES ARE FOR DIE CUTTING ONLY!

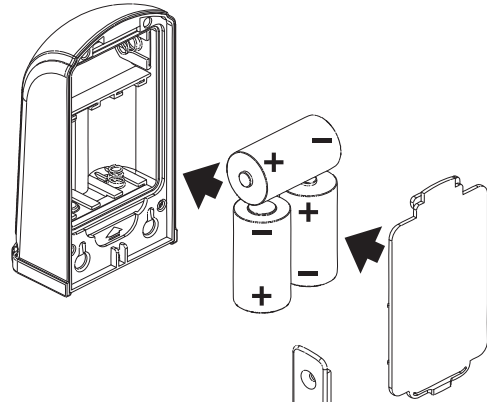
# Motion Sensing Deck Light

## Installation Instructions

### Battery Installation

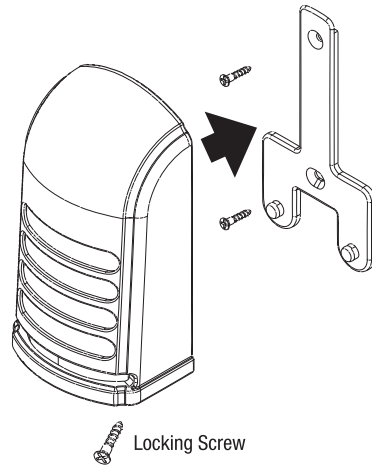
- Remove mounting plate by sliding down and lifting out of keyholes
- Remove battery cover by pressing up on tab and lifting out
- Insert 3 C alkaline batteries (not included).
- Note: be sure batteries are orientated properly. Markings for +/- are engraved in the battery compartment.

\* Estimated battery life of 1 year running 12 hours a night on alkaline batteries with up to 14 triggers per night in low light level setting.



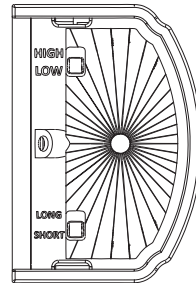
### Mounting Motion Deck Light

- Adjust time and light level if desired.
- Install mounting plate in desired location using screws.
- Install front cover by lining up keyholes and sliding unit down.
- Insure top of mounting plate slides into slot at the top of the unit for a secure fit.
- Install locking screw (included) through the bottom of the unit into the mounting surface to prevent removal.



### Product Specifications

- Motion Coverage – 30' by 160 degrees
- "Low-Glow" accent light runs dusk to dawn
- Two brightness settings when motion is detected
  - Hi level for walkways and entry areas
  - Low level for outdoor living areas
- Time Settings -
  - Long – 5 min for living areas
  - Short – 30 sec for walkways



**Xodus Innovations, LLC**  
2025 Yore Avenue  
Benton Harbor, MI 49022  
[www.xodusinnovations.com](http://www.xodusinnovations.com)  
Made in China



**Model # BL775**  
1 year limited warranty  
Patent # 6,992,591  
Additional patents pending